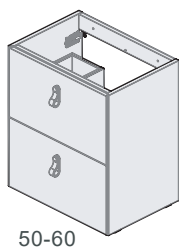
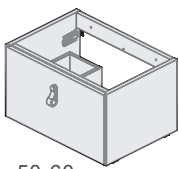
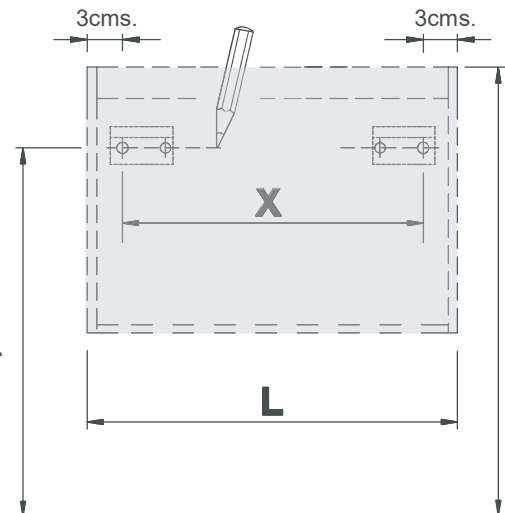


BO-719

01. cms.



74,2cms.



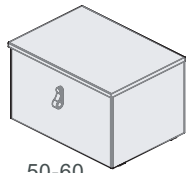
85cms.

L:50cms. → X=43,5cms.  
L:60cms. → X=53,5cms.

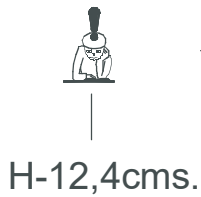
# 02.



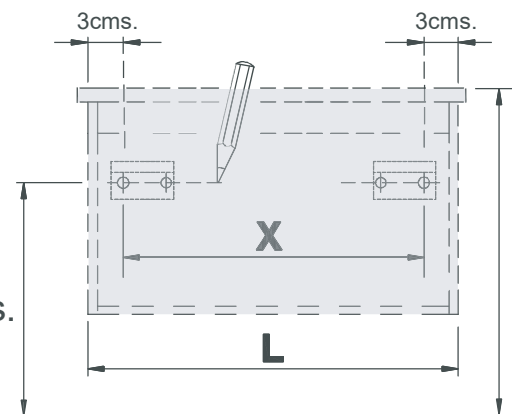
cms.



50-60



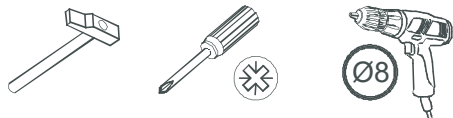
H-12,4cms.



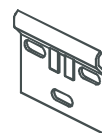
Hcms.

L:50cms. → X=43,5cms.  
L:60cms. → X=53,5cms.

# 03.



Ø8



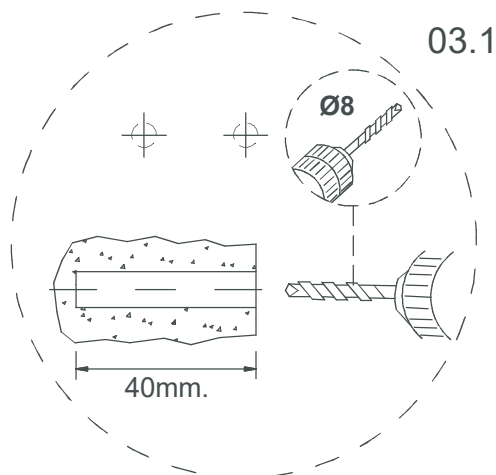
x2



x4

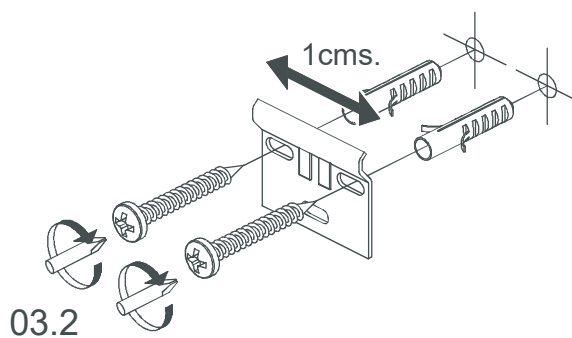
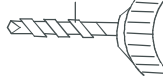


x4



03.1

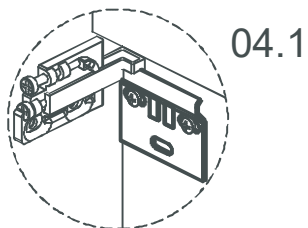
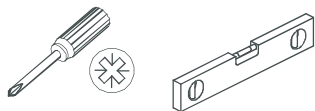
40mm.



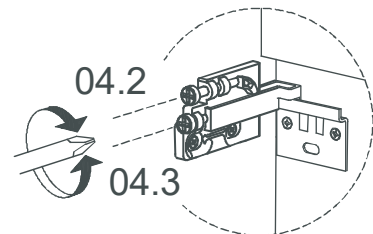
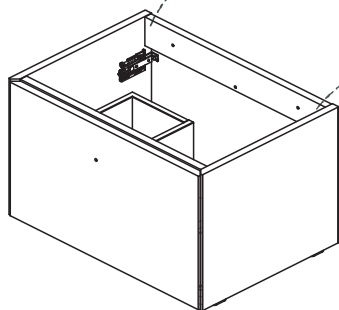
1cms.

03.2

# 04.



04.1

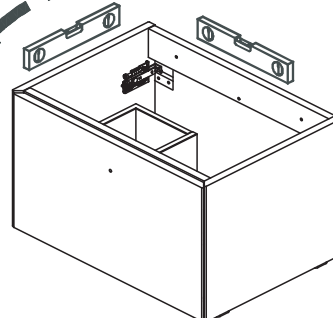


04.2

04.3

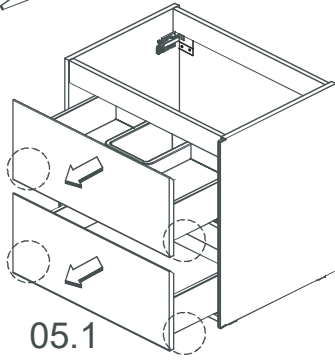


04.3

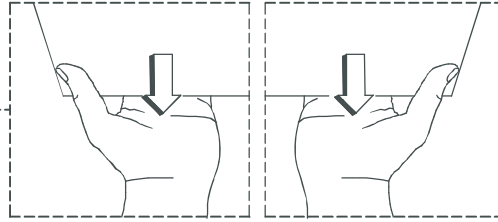


04.2  
±1cms.

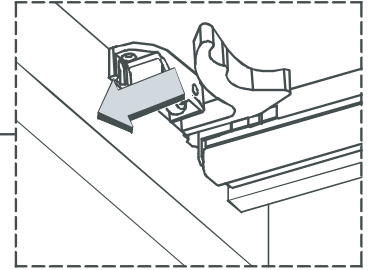
# 05.



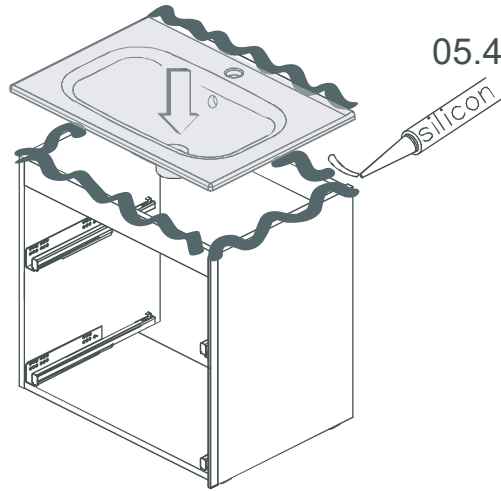
05.1



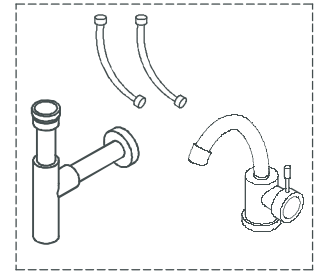
05.2



05.3

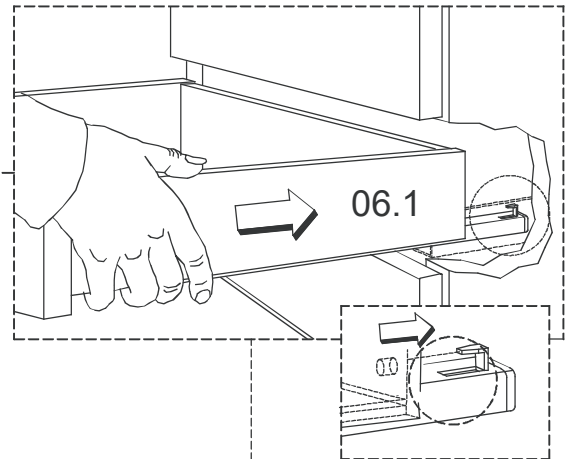
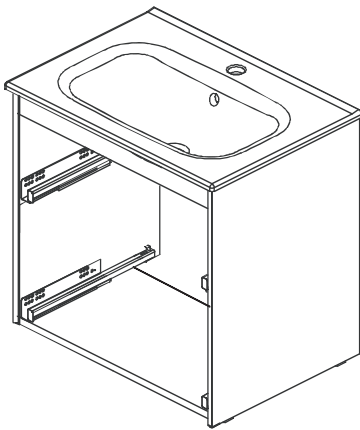


05.4

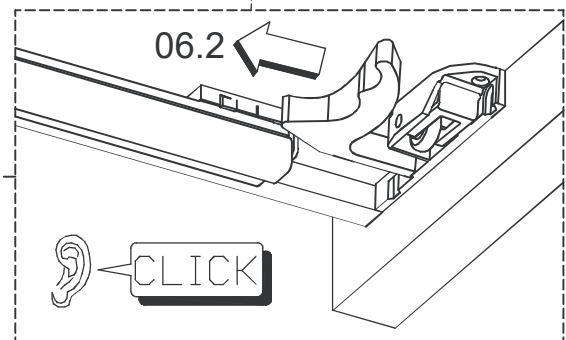
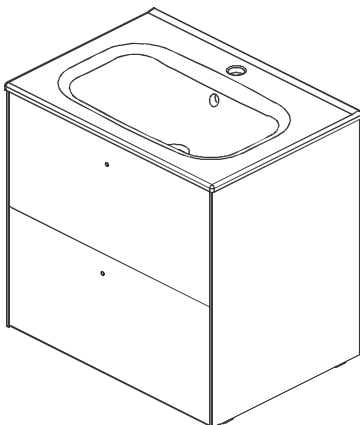


05.5

# 06.



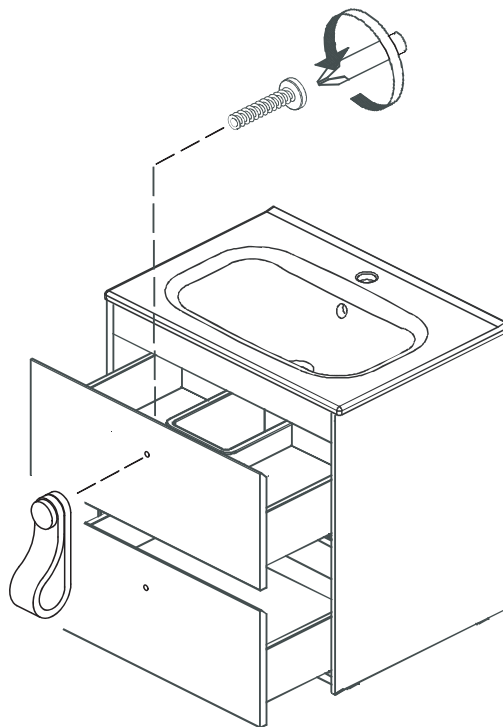
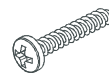
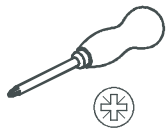
06.1



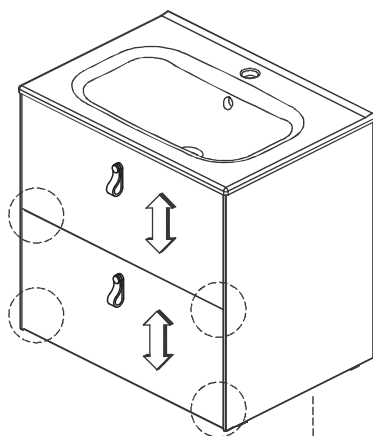
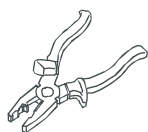
06.2

CLICK

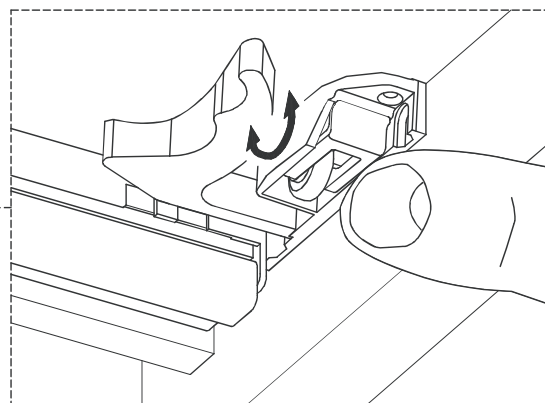
07.



08.



08.1



08.2

